



Pittsburgh **PARKING** Authority

The Value Parking Network

GENERAL INFORMATION REGARDING THE FORT DUQUESNE & SIXTH GARAGE

120 SIXTH STREET, PITTSBURGH, PA 15222

The Fort Duquesne and Sixth Street Garage was originally opened in 1959 and was horizontally expanded in 1967.

It contains approximately 920 parking spaces on seven levels of parking.

The original structure consists of a double threaded helix exit ramp separating two ramped bays that form a single helix and two other bays, which are flat.

The expansion added two ramped bays to the original flat bays to create an additional single helix.

The structural system utilized in the original portion of the garage consists of cast-in-place, conventionally reinforced concrete slabs supported by cast-in place, conventionally reinforced concrete beams and columns.

The horizontal expansion utilizes cast-in-place, post-tensioned concrete slabs supported by precast, post-tensioned single tee beams and structural steel columns.

The post-tensioning system in both the slabs and single tee beams is a bonded system.

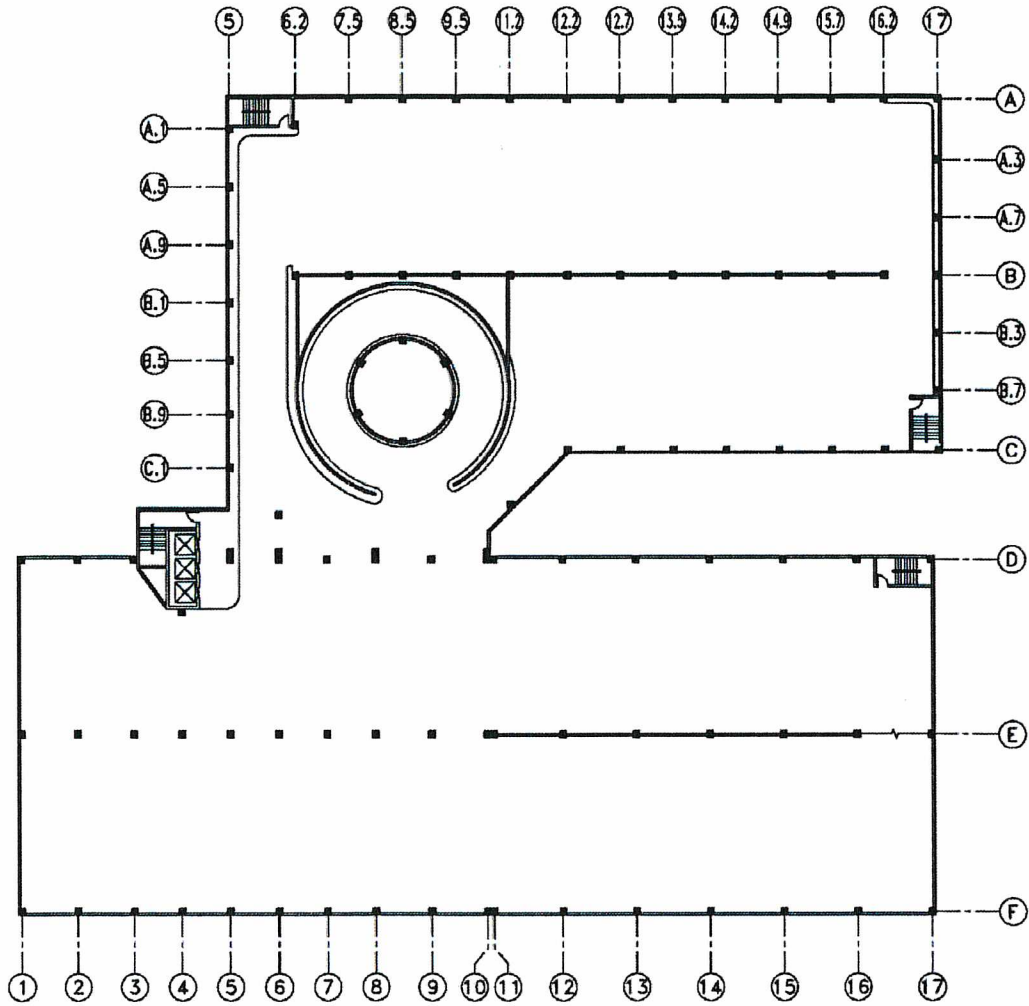
Total Area of garage:	330,392 sf (Original: 215,215 sf; Expansion: 115,177 sf)
Typical Floor area:	50,149 sf (Original: 35,725 sf; Expansion: 14,397 sf)
Maximum Dimensions:	272' x 241'
Typical bay Dimensions:	Varies: approximately 53'-0" x 17'-2"
Architectural Shape:	Irregular
Year Opened:	Original: 1959; Expansion: 1968
Number of Levels:	6+ structurally supported + 1 slab-on-grade
Total Number of Spaces in garage:	920
Parking on Grade:	Yes
Retail Space within garage:	Yes
Below Grade parking:	Yes
Construction Type:	Original: Cast-in-place, conventionally reinforced slabs, Beam and columns; Expansion: Cast-in-place, post-tensioned slabs, post-tensioned single tee beams, structural steel columns
Garage Functionality:	Dual single helix with express helix exit ramp
Maximum Clearance Height:	6'6"

SEE NEXT PAGE: FORT DUQUESNE & SIXTH STREET GARAGE TYPICAL FLOOR PLAN



Pittsburgh PARKING Authority

The Value Parking Network



FORT DUQUESNE AND SIXTH PARKING GARAGE ➤ N
TYPICAL FLOOR PLAN